

SJ8831/41 RT

ROUGH TERRAIN SCISSORS



STANDARD FEATURES

- Axle based 4WD system
- "Detroit Locker" type rear differential and limited slip front differential
- Drivable at full height
- Diesel engine on roll out tray
- Dual 1.22 m roll out extension decks
- Disc brake system on rear axle
- Independent/auto leveling outriggers
- 30% gradeability
- Wiring for AC outlet on platform
- Tilt alarm with drive & lift cut-out
- All motion audible alarm
- Overload sensing system
- Lowering warning system
- Lanyard attachment points
- Tie down/lift lugs
- Operator horn
- Flashing light
- Fold down hinged railing system
- Half height spring hinged gates on both sides
- Relay based control system
- Colour coded and numbered wiring system
- 10 x 16.5 grip lug foam-filled tyres

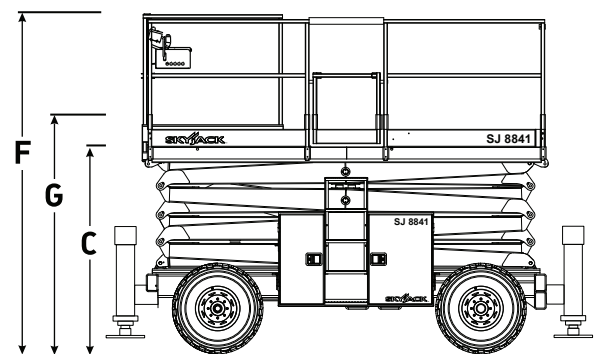
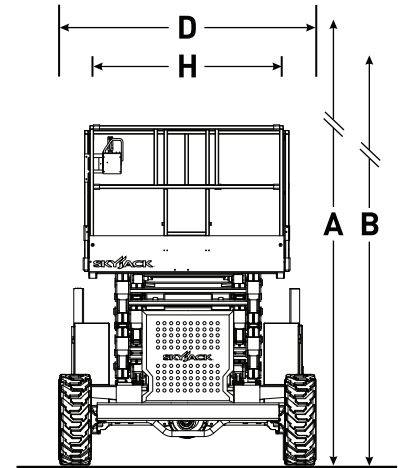
ACCESSORIES AND OPTIONS

- Diesel scrubber
- Full height spring hinged gates
- Non-marking grip lug foam-filled tyres

* Capacities, and machine weights may differ when options are added

SJ8831/41 RT ROUGH TERRAIN SCISSORS

Dimensions	SJ8831 RT	SJ8841 RT
A Work Height	11.45 m	14.50 m
B Raised Platform Height	9.45 m	12.50 m
C Lowered Platform Height	1.50 m	1.75 m
D Overall Width	2.20 m	2.20 m
E Overall Length	3.53 m	3.53 m
F Stowed Height (Rails Up)	2.67 m	2.90 m
G Stowed Height (Rails Down)	1.99 m	2.22 m
H Platform Width (Inside Dimension)	1.70 m	1.70 m
I Platform Length Extended (Inside Dimension)	5.70 m	5.70 m
Specifications	SJ8831 RT	SJ8841 RT
Ground Clearance	0.20 m	0.20 m
Wheelbase	2.27 m	2.27 m
Weight	5,684 kg	6,173 kg
Gradeability	30%	30%
Turning Radius (Inside)	4.01 m	4.01 m
Turning Radius (Outside)	6.30 m	6.30 m
Lift Time (With Rated Load)	46 sec	71 sec
Drive Speed (Stowed)	4.5 km/h	4.5 km/h
Drive Speed (Raised)	0.4 km/h	0.4 km/h
Maximum Drive Height	Full Height	Full Height
Capacity (Overall)	908 kg	681 kg
Maximum # of Persons	6	5



Model	Capacity With 2 Extension Decks*		
	Main	Front Ext.	Rear Ext.
SJ8831 RT	454 kg	227 kg	227 kg
SJ8841 RT	227 kg	227 kg	227 kg

* With standard tyres