

A38E

ARTICULATED BOOM LIFT



- Popular electric articulated boom lift
- Lightweight, durable and reliable
- Smooth, easy to use controls
- Compact chassis for excellent manoeuvrability
- Suitable for indoor and outdoor use

ARTICULATED BOOM LIFT

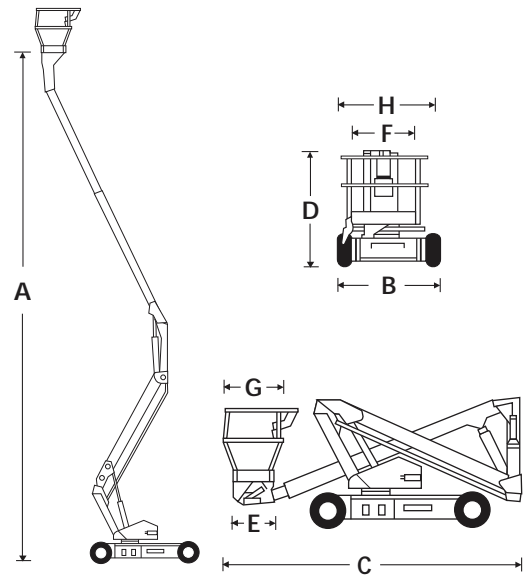
A38E

DIMENSIONS	A38E
Max. working height	13.5m
Max. platform height (A)	11.5m
Max. working outreach	6.1m
Clearance height at max. outreach	5.4m
Platform floor size (inside) (E x F)	0.58m x 1.3m
Max. platform size (outside) (G x H)	1.0m x 1.32m
Overall width (B)	1.50m
Overall length (C)	4.04m
Stowed height (D)	2.0m
Ground clearance	120mm

PERFORMANCE	
Platform capacity (SWL)	215kg
Max. drive speed (stowed)	4.0km/h
Max. drive speed (elevated)	0.7km/h
Turret rotation	360° non-continuous
Raise/lower time	83/68 sec
Gradeability	36%
Inside turning radius	0.4m
Outside turning radius	2.4m
Tyres	22 x 9 16 non-marking
Controls	smooth, one-hand proportional controls
Drive system	direct drive DC

POWER	
Power source	8 x 6V, 210Ah batteries

WEIGHT	
Gross weight	3,770kg



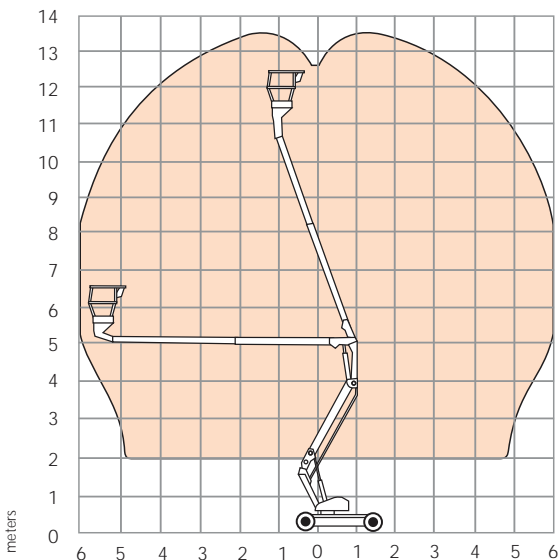
STANDARD FEATURES

- Proportional one-hand controls
- Minimal front boom overhang
- Ultra-tight inside turning radius
- Power line to platform (no sockets)
- Tilt alarm and cut-out
- 2 person + equipment capacity indoors
- 1 person + equipment capacity outdoors
- Two person platform
- Direct DC drive parallel wired wheel motors
- Non-marking tyres
- Duplicate boom controls at ground level
- CE approved

OPTIONS

- Special paint colours
- Flashing amber beacon
- Manual platform rotator
- Environmental green oil

WORKING ENVELOPE



09 947 4247

021 500 486

sales@elevatedaccess.co.nz

www.elevatedaccess.co.nz