



## SJ46 AJ SJ51 AJ ARTICULATING BOOM LIFTS

Skyjack's Articulating Boom Lifts are available in two models featuring the SJ46 AJ and SJ51 AJ. Both models boast an industry leading, standard equipped, 360 degree continuous turret rotation. Zero tail swing compliments the turret design allowing for flexible operation in tight locations. Superior positive traction and terrainability is provided by the axle based 4WD used in many of Skyjack's product designs, which accounts for a proven low maintenance, rugged and reliable drive train.



**SKYJACK**

# ARTICULATING BOOM LIFTS

## SPECIFICATIONS

### SJ46AJ

### SJ51AJ

AS/NZS 1418.10:2011

<b>Work Height</b>	<b>16.15 m</b>	<b>17.58 m</b>
<b>Platform Height</b>	<b>14.15 m</b>	<b>15.58 m</b>
<b>Horizontal Reach</b>	<b>7.68 m</b>	<b>9.16 m</b>
<b>Up and Over Height</b>	<b>7.63 m</b>	<b>7.63 m</b>
<b>Platform Size</b>	<b>1.83 x 0.76 m</b>	<b>1.83 x 0.76 m</b>
<b>Stowed Width</b>	<b>2.24 m</b>	<b>2.24 m</b>
<b>Tailswing</b>	<b>Zero</b>	<b>Zero</b>
<b>Stowed Height</b>	<b>2.07 m</b>	<b>2.07 m</b>
<b>Stowed Length</b>	<b>6.50 m</b>	<b>7.25 m</b>
<b>Wheelbase</b>	<b>2.03 m</b>	<b>2.03 m</b>
<b>Ground Clearance</b>	<b>0.40 m</b>	<b>0.40 m</b>
<b>Rotation</b>	<b>360°</b>	<b>360°</b>
<b>Platform Rotation</b>	<b>180°</b>	<b>180°</b>
<b>Jib Length</b>	<b>1.42 m</b>	<b>1.42 m</b>
<b>Jib Range +/-</b>	<b>+70° / -75°</b>	<b>+70° / -75°</b>
<b>Weight</b>	<b>6981 kg</b>	<b>7316 kg</b>
<b>Gradeability</b>	<b>45%</b>	<b>45%</b>
<b>Turning Radius (Inside)</b>	<b>2.48 m</b>	<b>2.48 m</b>
<b>Turning Radius (Outside)</b>	<b>5.15 m</b>	<b>5.15 m</b>
<b>Axle Oscillation</b>	<b>0.20 m</b>	<b>0.20 m</b>
<b>Drive Speed (High speed)</b>	<b>7.7 km/h</b>	<b>7.7 km/h</b>
<b>Capacity</b>	<b>227 kg</b>	<b>227 kg</b>
<b>Local Floor Load (With Rated Load)</b>	<b>827 kPa</b>	<b>917 kPa</b>
<b>Overall Floor Load (With Rated Load)</b>	<b>10.9 kPa</b>	<b>11.4 kPa</b>
<b>Maximum # of Persons</b>	<b>2</b>	<b>2</b>
<b>Tyre Type</b>	<b>Grip lug foam-filled</b>	<b>Grip lug foam-filled</b>
<b>Diesel Engine</b>	<b>48 HP</b>	<b>48 HP</b>
<b>Fuel Tank Capacity</b>	<b>64 L</b>	<b>64 L</b>
<b>Hydraulic Reservoir</b>	<b>91 L</b>	<b>91 L</b>

## STANDARD FEATURES

- Axle based 4WD system
- Operator controlled locking rear differential and limited slip front differential
- Oscillating axle
- Drivable at full height
- 360° continuous turret rotation
- 45% Gradeability
- 48 HP Deutz diesel engine
- Swing out engine tray
- Swing up cowlings
- Modular platform railing system
- Wiring for outlet on platform
- Direction sensing drive and steer controls
- Proportional controls
- Relay based control system
- Colour coded and numbered wiring
- Hourmeter
- Overload sensing system
- Operator horn
- Spring hinged gate
- Lanyard attachment points
- Tie down/lifting lugs
- Wet disc SAHR brakes (rear axle)
- Grip lug foam-filled tyres

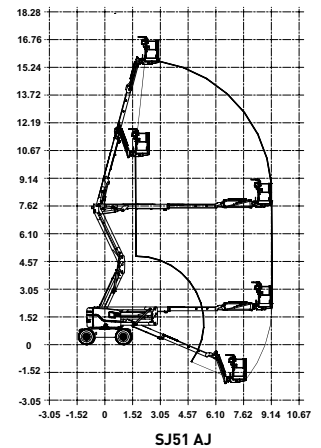
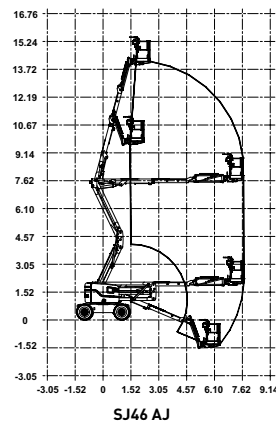
## OPTIONS<sup>‡</sup>

- 0,76 x 1,52 m Platform
- Airline to platform
- 3.5 kW generator (Includes hydraulic oil cooler)
- Cold weather start kit
- Diesel scrubber
- Hydraulic oil cooler
- Flashing light
- Platform work lights
- All motion alarm

## Tyre Options <sup>‡</sup>

- Grip lug foam-filled non marking tyres

<sup>‡</sup> Standard lead times may be increased when optional equipment is added, consult factory  
<sup>\*\*</sup> Capacities, and machine weights may differ when options are added



<sup>‡</sup> Standard lead times may be increased when optional equipment is added, consult factory  
<sup>\*\*</sup> Capacities, and machine weights may differ when options are added



09 947 4247  
 021 500 486  
 sales@elevatedaccess.co.nz  
 www.elevatedaccess.co.nz

