

S2755RT

ROUGH TERRAIN SCISSOR LIFT



- Diesel-powered rough terrain scissor lift
- Large roll-out deck extension
- Automatic self-levelling stabilisers
- Easy to operate and simple to maintain
- Ideal for construction applications in constricted areas

 **snorkel**

www.elevatedaccess.co.nz

ROUGH TERRAIN SCISSOR LIFT

S2755RT

DIMENSIONS S2755RT

Max. working height	10.4m
Max. platform height (A)	8.4m
Platform size	2.73m x 1.4m
Deck extension length	1.2m
Overall width (B)	1.45m
Overall length (C)	3.3m
Stowed height (D)	2.5m
Ground clearance	260mm
Guardrail height	1.1m
Toeboard height	150mm

PERFORMANCE

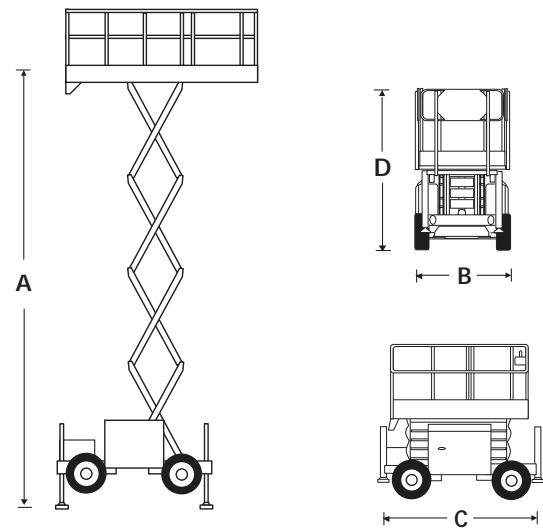
Platform capacity (SWL)	300kg
Max. wind speed	12.5m/s
Max. drive speed (stowed)	5.2km/h
Max. drive speed (elevated)	0.5km/h
Gradeability	35%
Wheelbase	2m
Inside turning radius	2.5m
Outside turning radius	4.75m
Exit/entry angle	20°
Tyres	23" x 8.9" x 12 poly filled
Drive system	4 wheel drive

POWER

Power source	Kubota diesel engine
--------------	----------------------

WEIGHT

Gross weight	2,580kg
--------------	---------



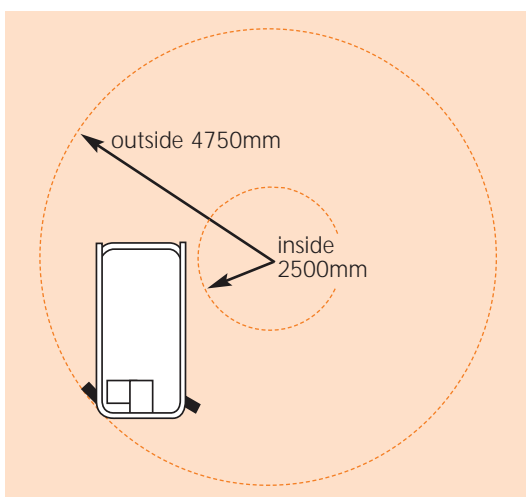
STANDARD FEATURES

- Independent articulating rear axles
- 1.2m roll-out deck extension
- Automatic self levelling stabilisers
- Easy access maintenance modules
- Can be built with a deck for concrete formwork
- Driveable at full height
- Diesel engine
- 4 wheel drive

OPTIONS

- 24V DC power
- Dual power – diesel/battery
- Non-marking tyres
- Lanyard attachments
- Concrete formwork deck

TURNING RADIUS



09 947 4247
021 500 486
sales@elevatedaccess.co.nz
www.elevatedaccess.co.nz