

# E SERIES

ELECTRIC ARTICULATED BOOM LIFTS

**JLG**  
reachingout®



## Performance

Platform Height	
E300AJP	8.97 m
E/M400AJPn	12.19 m
E/M450AJ	13.72 m
Horizontal Outreach	
E300AJP	6.12 m
E/M400AJPn	6.83 m
E/M450AJ	7.24 m
Up and Over Height	
E300AJP	4.0 m
E/M400AJPn	6.55 m
E/M450AJ	7.7 m
Swing	
E300AJP	355° Non-Continuous
E/M400AJPn	360° Non-Continuous
E/M450AJ	360° Non-Continuous
Platform Capacity	
	230 kg
Platform Rotator	
	180° Hydraulic
Weight	
E300AJP	7,100 kg
E400AJPn	6,759 kg
M400AJPn	6,863 kg
E450AJ	6,670 kg
M450AJ	6,700 kg
Overall Jib Length	
E300AJP	1.22 m
E/M400AJPn	1.24 m
E/M450AJ	1.24 m
Jib Rotation Range	
E300AJP	180°
E/M400AJPn	180°
E/M450AJ	N/A
Jib Articulation Range	
E300AJP	144° (+84° / -60°)
E/M400AJPn	141° (+86° / -55°)
E/M450AJ	141° (+86° / -55°)
Drive Speed	
E300AJP	7.2 km/h
E/M400AJPn	7.2 km/h
E/M450AJ	7.2 km/h
Gradeability	
E300AJP	25%
E/M400AJPn	30%
E/M450AJ	30%
Turning Radius (Inside)	
E300AJP	1.52 m
E/M400AJPn	0.86 m
E/M450AJ	0.61 m
Turning Radius (Outside)	
E300AJP	3.10 m
E/M400AJPn	3.15 m
E/M450AJ	3.15 m

## Standard Specifications

### Power

Electrical System	48V DC
Batteries	8 x 6V, 370 amp-hr (305 amp-hr on E300AJP)
Drive Motors	Dual Electric Traction—AC
*M* Models Generator Set	
Diesel Engine	Kubota 45 amp 4.99kW
Fuel Tank Capacity	15.2 L



### Hydraulic System

E300AJP	11.4 L
E/M400AJPn	19.0 L
E/M450AJ	19.0 L
Motor / Pump	Permanent Magnet Motor / Gear Pump

### Tyres

E300AJP	25 x 7 x 12 Solid Non-Marking
E/M400AJPn	Front 22 x 6 x 17.5 Solid Non-Marking Back 25 x 7 x 12 Solid Non-Marking
E/M450AJ	240/ 55-17.5 Foam Filled Non-marking

### Standard Features

- Automatic Traction Control (ATC)
- Side Entry Platform
- Inward Self-Closing Self-Locking Swing Gate
- 180 Degree Hydraulic Platform Rotator
- Tilt Alarm/Indicator Light
- Flashing Amber Beacon
- Hourmeter
- Proportional Controls
- Battery Condition Indicator
- Lifting/Tie Down Lugs
- Horn
- Cylinder bellows
- Flashing Amber Beacon
- Motion Alarm

### Accessories & Options

- Mesh to Mid Rail
- 1/2 in. Air Line to Platform
- Skyguard
- Squawker / White Noise Motion Alarm
- Acrylic Console Shield
- Platform Worklights
- AC Outlet to Platform including ELCB

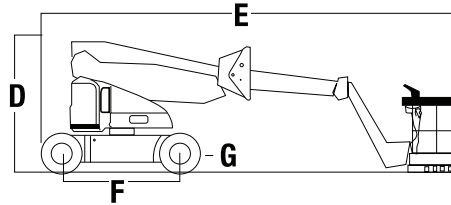
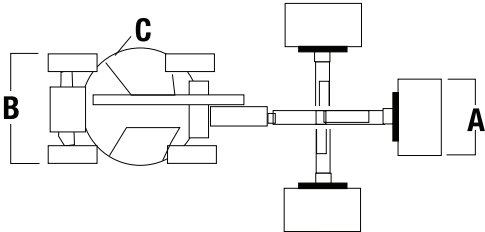
# E SERIES

ELECTRIC ARTICULATED BOOM LIFTS



## Dimensions

All dimensions are approximate.



### A. Platform Size

E300AJP	0.76 x 1.22 m
E/M400AJPn	0.76 x 1.22 m
E/M450AJ	0.76 x 1.52 m

### C. Tailswing

E300AJP	Zero
E/M400AJPn	Zero
E/M450AJ	Zero

### E. Stowed Length

E300AJP	5.74 m
E/M400AJPn	6.71 m
E/M450AJ	6.45 m

### G. Ground Clearance

E300AJP	10 cm
E/M400AJPn	13 cm
E/M450AJ	20 cm

### B. Overall Width

E300AJP	1.22 m
E/M400AJPn	1.5 m
E/M450AJ	1.75 m

### D. Stowed Height

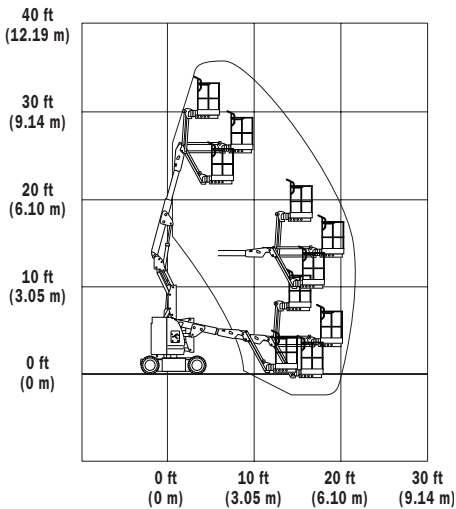
E300AJP	2.01 m
E/M400AJPn	1.97 m
E/M450AJ	2.01 m

### F. Wheelbase

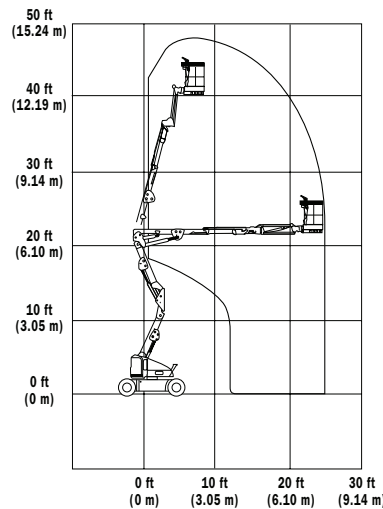
E300AJP	1.65 m
E/M400AJPn	2.01 m
E/M450AJ	2.01 m

## Reach Diagrams

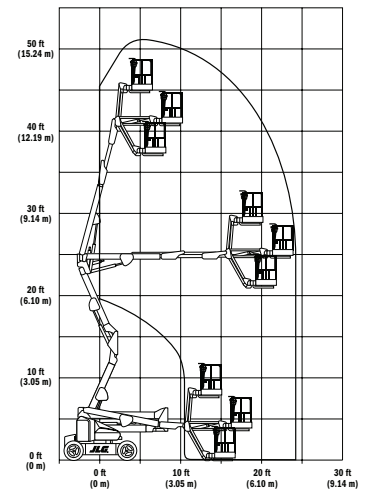
### E300AJP



### E/M400AJP NARROW



### E/M450AJ



0800 222 111  
021 500 486

sales@elevatedaccess.co.nz  
www.elevatedaccess.co.nz

## The JLG "1 & 5" Warranty

JLG Industries, Inc. backs its products with its exclusive "1 & 5" Warranty. We provide coverage on all products for one (1) full year and cover all specified major structural components for five (5) years. Due to continuous product improvements, we reserve the right to make specification and/or equipment changes without prior notification. This machine meets or exceeds AS/NZS 1418.10 2011 as originally manufactured for intended applications.