

SL26SL/SL30SL

SPEED LEVEL



- The original Speed Level sigma lift
- Climbs gradients of up to 50%
- Auto-levelling without the need for outriggers
- Suitable for most terrains
- Powerful 4x4 drive
- Ideal for rough terrain or work at height on sloped ground

 **snorkel**
www.snorkellifts.com

SPEED LEVEL

SL26SL/SL30SL

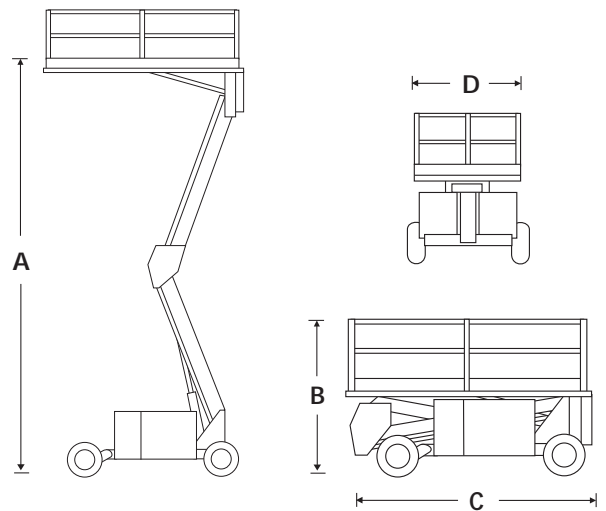
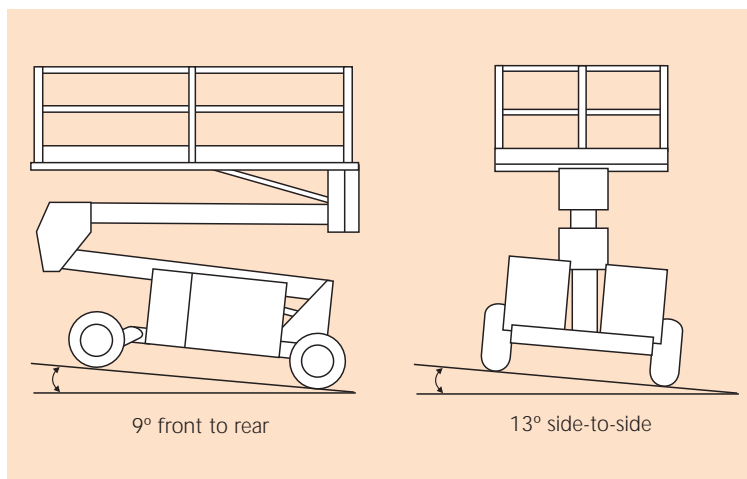
DIMENSIONS	SL26SL	SL30SL
Max. working height	10.0m	11.0m
Max. platform height (A)	8.0m	9.0m
Platform size (stowed)	1.72m x 3.66m	1.72m x 4.23m
Platform size (extended)	1.72m x 4.61m	n/a
Overall width (D)	2.13m	2.13m
Overall length (C)	3.79m	4.39m
Stowed height (B)	2.6m	2.6m
Min. height (guardrails folded)	1.5m	1.5m
Chassis ground clearance	320mm	320mm
Axle ground clearance	200mm	200mm

PERFORMANCE		
Platform capacity (SWL)	680kg	590kg
Max. drive height	8.0m	9.0m
Max. drive speed (stowed)	5.2km/h	5.2km/h
Max. drive speed (elevated)	0.8km/h	0.8km/h
Raise/lower time	21/32 seconds	24/36 seconds
Gradeability	50%	50%
Max. levelling, front to rear	9°	9°
Max. levelling, side to side	13°	13°
Inside turning radius	3.9m	3.9m
Tyres	26 x 12.00 - 12 NHS Supa Terra-Grip, poly filled	
Controls	Proportional joystick	
Drive system	4 wheel drive with hydraulic motors and flow dividers	

POWER	
Power source	Perkins diesel, water cooled engine

WEIGHT		
Gross weight	3,085kg	3,400kg

LEVELLING CAPABILITIES



STANDARD FEATURES

- Diesel power
- Rated for up to 5 people plus tools
- Descent alarm
- Hour meter
- Speed level - automatic powered platform levelling
- Oscillating front axle
- Poly filled high grip tyres
- Dual multi-disc brakes
- One-hand, proportional controls
- Power line to platform (no sockets)
- Fold-down guardrails
- CE approved

OPTIONS

- Special paint colours
- All motion alarm
- Flashing amber beacon
- Diesel exhaust scrubber
- Environmental green oil
- 240V 2kW generator

snorkel www.snorkellifts.com

36 Bruce Road, Levin,
5510, New Zealand
t: +64 (0)6 368 9168
f: +64 (0)6 368 9164
e: sales.nz@snorkellifts.com